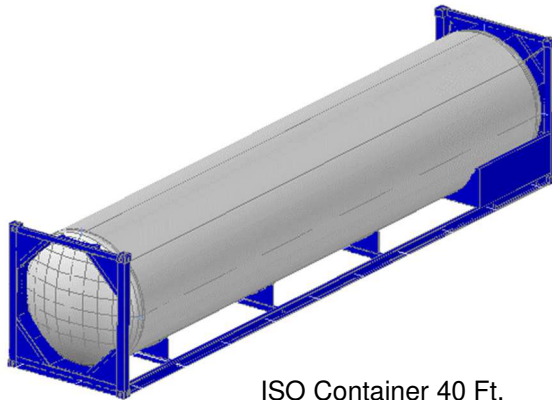
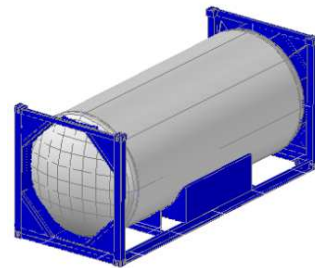


PT. LINTECH DUTA PRATAMA offers design and manufacturing of LNG ISO container. The container has been designed as standard 20ft and 40ft with capacity 20,000 Liter (20ft) and 43,500 Liter (40ft). Available in working pressure of 6.9, 10 and 17 bar. ISO containers are used to safe storage and transport LNG worldwide by ship, rail or road.



ISO Container 40 Ft.



ISO Container 20 Ft.

Scope of Supply

- Design and Detailed Engineering
- Procurement, Fabrication, Testing and Inspection
- Field Installation
- Instrumentation Pipes and Valves
- Hydrostatic test

Design and Codes

The design, material, fabrication, Inspection and testing are according to ASME Section VIII Div.1, Local Regulation and Customer Specification.

Technical Specification

A. ISO Container 40 Ft

Specification	LNG 6.9 Bar *	LNG 10 Bar *	LNG 17 Bar *
Capacity - Gross, Lt	43,460	43,300	42,500
Capacity - Net, Lt	41,285 (95%)	41,135 (95%)	40,375 (95%)
Tare Weight, Kg	11,500	12,500	18,500
Max Gross Weight, Kg	30,900	31,800	37,500
MAWP, bar	6.9	10	17
Temperature Range, °C			
▪ Inner vessel	-196 to +50	-196 to +50	-196 to +50
▪ Outer vessel	-20 to +50	-20 to +50	-20 to +50
Test Pressure, bar	10.3	14.3	23,4
Insulation	Vacuum Insulated	Vacuum Insulated	Vacuum Insulated
Dimensions (LxWxH), mm	12192 x 2438 x 2591	12192 x 2438 x 2591	12192 x 2438 x 2591

B. ISO Container 20 Ft

Specification	LNG 6.9 Bar *	LNG 10 Bar *	LNG 17 Bar *
Capacity - Gross, Lt	20,400	20,300	20,000
Capacity - Net, Lt	19,380 (95%)	19,285 (95%)	19,000 (95%)
Tare Weight, Kg	6,400	7,100	9,000
Max Gross Weight, Kg	15,500	16,170	17,900
MAWP, bar	6.9	10	17
Temperature Range, °C			
▪ Inner vessel	-196 to +50	-196 to +50	-196 to +50
▪ Outer vessel	-20 to +50	-20 to +50	-20 to +50
Test Pressure, bar	10.3	14.3	23.4
Insulation	Vacuum Insulated	Vacuum Insulated	Vacuum Insulated
Dimensions (LxWxH), mm	6058 x 2438 x 2591	6058 x 2438 x 2591	6058 x 2438 x 2591

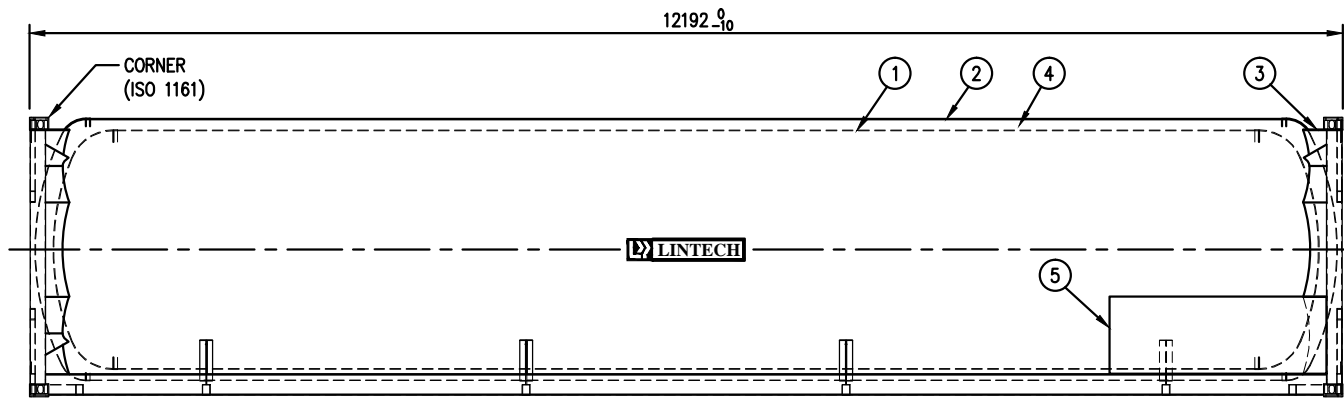
Material

Parts	Material *
Inner Vessel	Austenitic Stainless Steel
Outer Vessel	Carbon Steel Option: Austenitic Stainless Steel
Insulation	Vacuum Composite Insulation
Skid and Frame	Carbon Steel
Instrumentation Pipes	Stainless Steel
Valves	Stainless Steel
Corner Casting	ISO Standard 1161 or Equiv.

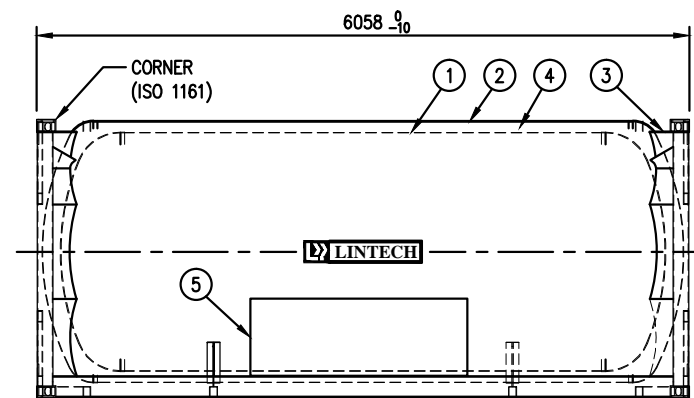
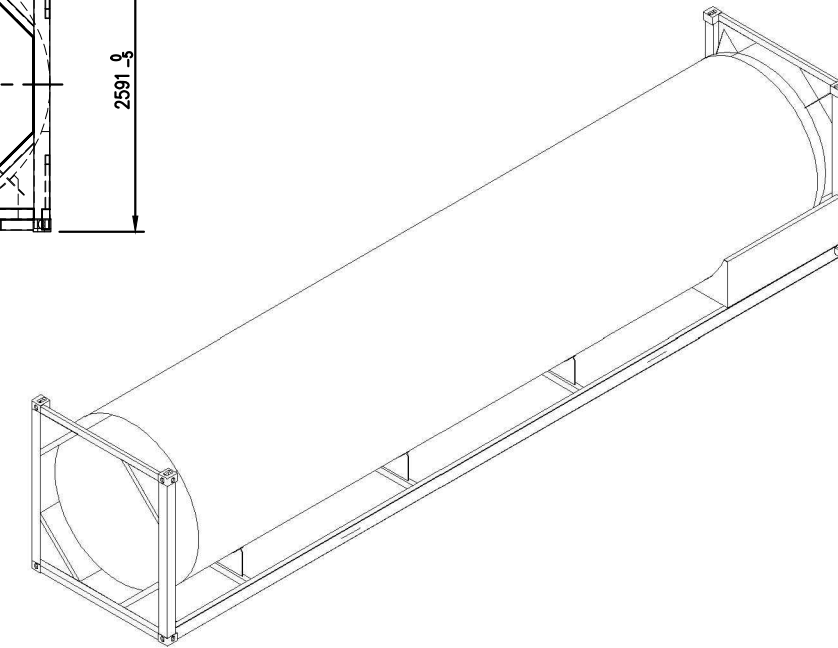
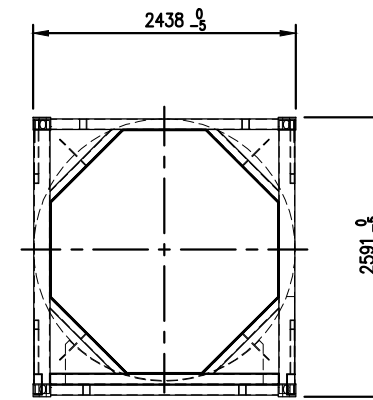
*) above material and specifications can be adjusted according to customer request or specification

Surface Preparation and Coating

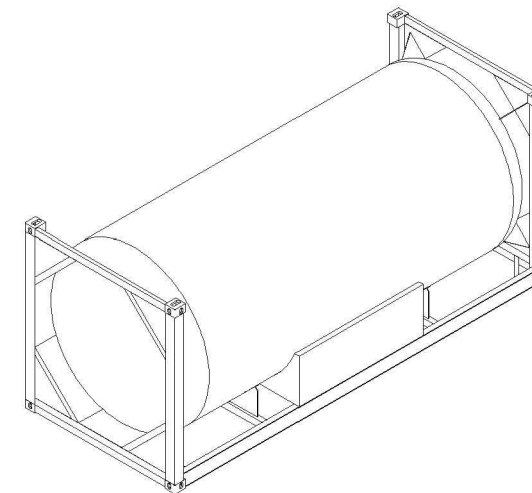
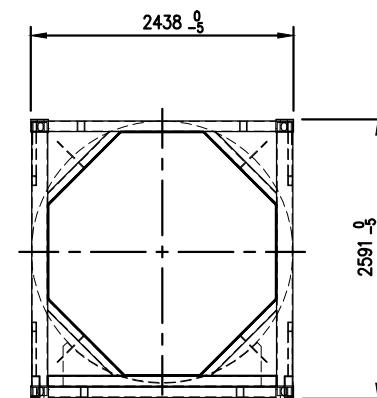
- Shot Blast SA 2.5
 - Anti corrosive protection
 - Zinc Rich Primer : 50 microns
 - Epoxy High Build : 125 microns
 - Polyurethane Top Coat : 50 microns
 - Standard Color
 - Frame : Blue
 - Vessel : White
- Custom paint specification on request



ELEVATION VIEW
ISO CONTAINER 40 FT.



ELEVATION VIEW
ISO CONTAINER 20 FT.



PART NO.	PART NAME	SPECIFICATION	QTY	MATERIAL	WEIGHT (Kg)	REMARK
5	INSTRUMENT PIPES BOX					
4	VACUUM INSULATED					
3	INTEGRATED FRAME SUPPORT					
2	OUTER VESSEL					
1	INNER VESSEL					

LIST MATERIAL
FOR INFORMATION



OWNER : -
CONSULTANT : -

DRAWING TITLE :
**LNG ISO CONTAINER
GENERAL ARRANGEMENT**

SCALE	DATE	DRAWING NO.	REV.
: AS SHOWN			
DESIGNED BY :			
DRAWING BY : HP	12/11/18		
CHECKED BY : IMAM			
APP. BY :			

LDP-M-18238-02



REV. NO.	DATE	REMARKS	BY	REV. NO.	DATE	REMARKS	BY	REV. NO.	DATE	REF. DRAWING NO.	REMARKS	BY

FILE LOCATION: D:\5. Development\isotank\

THIS SHEET IS PROPERTY OF PT. LDP, KARANG PILANG, SURABAYA, AND IS LOANED UNDER THE EXPRESS CONDITION THAT IT IS NOT TO BE USED IN ANY MANNER DIRECTLY OR INDIRECTLY DETRIMENTAL OF PT. LDP.