

## LNG ISO TANK



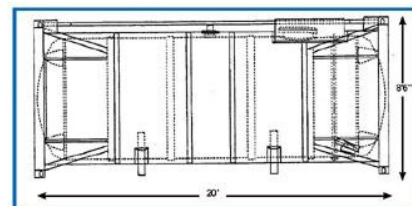
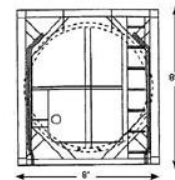
PT. LINTECH DUTA PRATAMA has become a leading manufacture to design and manufacturing LNG ISO Tank and Pressure Vessel in several capacity according to Pertamina standard and Client specification.

PT. LINTECH DUTA PRATAMA designed and fabricated ISO tank container required by the mining and oil & gas companies. International Standards Organization (ISO) tank containers are used to transport bulk liquids by road, rail and sea. They are designed to transport large volumes (48,000 liters) of liquids door to door in a safe and efficient manner. Tanks may also incorporate integral heating, inert gas blanketing and pressurization. All tanks are insulated. They are manufactured from carbon steel and stainless steel. The principle tank design requirements are safety and weight. The lighter the tank, the more loads it may carry, as the total laden weight is fixed by state regulations.

We have certified as a holder international standard for Pressure Vessel Design and Construction according to ASME Section VIII Division 1 Latest Edition.

We always give the best services to satisfy each of client specification and commit to refer to international standard codes and regulations.

As an oil and gas company services, we provide your LNG ISO tank and other type of pressure vessel with high performance Quality and desirable in refer to standard requirements. More than that, Lintech's number-one priority is to meet or exceed every client's goals for production, process specifications, reliability, and cost efficiency.



### LNG ISO TANK 20'

DIMENSIONS:		
LENGTH	20 FT	6.09M
WIDTH	8 FT	2.4 M
HEIGHT	8.5 FT	2.6 M
VOLUME DRY BULK	700 CUBIC FT	19.8 CUBIC M
VOLUME LIQUID	5,236 GAL	19,820 L
OPERATING PRESSURE	Up to 145 LBS PER SQ IN	Up to 10 BAR
TARE WEIGHT	7,500 LBS	3402 KG.

#### Loading/Unloading (Gravity and Pneumatic)

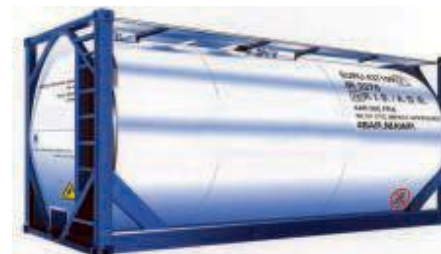
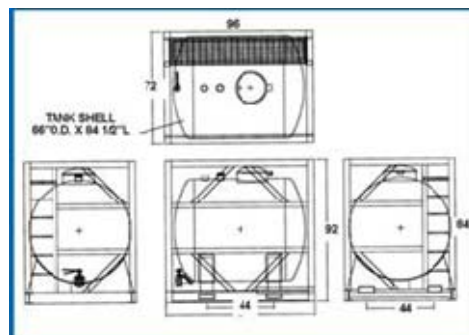
- Two (2) 20"/500mm Manways. 5"/127 Butterfly Discharge Valves with 4"/100mm Discharge Line.
- 3"/76mm Air Inlet Piping.
- Optional: Front and/or Rear Product Fill Lines in 4"/100mm, 5"/127mm or 6"/152mm sizes. Special Valving for Liquids
- Gravity Discharge and Pneumatic/Gravity Combination Discharge Systems.

### LNG ISO TANK 40'

DIMENSIONS:		
LENGTH	40 FT	12 M
WIDTH	8 FT	2.2 M
HEIGHT	8.5 FT	2.6 M
VOLUME DRY BULK	1,575 CUBIC FT	44.6 CUBIC M
OPERATING PRESSURE	Up to 145 LBS PER SQ IN	Up to 10 BAR
TARE WEIGHT	7,500 LBS	3402 KG.

#### LOADING/UNLOADING (GRAVITY AND PNEUMATIC):

- Five (5) 20"/500mm Manways.
- 5"/127 Butterfly Discharge Valves with 4"/100mm Discharge Line.
- 3"/76mm Air Inlet Piping with Top Air Standard.
- Available with Front and/or Rear Product Fill Lines in 4"/100mm, 5"/127mm or 6"/152mm sizes.
- Optional Aeration Systems for Powder Products.





Oil & Gas, Marine, Mining & Industrial Engineering - Fabrication – Construction

***Additional Specifications:***

1. Certification: IMO/ ISO1496/ASME VIII Div1 and Depnaker Indonesia.
2. Special for cement in bulk powder form.
3. Payload per unit 20ft up to 25 tons of cement (max 29 ton)
4. Full frame with diagonal supports is Lintech standard Design
5. Delivery Point and Pick up available to All other cities (Local or Overseas)
6. Maintenance and Service ISOTANK is Also available at Lintech

**PLEASE CONTACT LINTECH REPRESENTATIVE FOR YOUR ASSISTANCE**

LNG ISO Tank and Pressure Vessel

**Others Pressure Vessel**

**LPG Storage Tank & Pressure Vessel**



LNG ISO Tank and Pressure Vessel

- Available in range of 10 to 150 MT capacity
- Code stamp / ref to ASME Section VIII Div 1 Latest Edition & Addenda ( Design & Fabrication )
- Material of construction is SA-516 Gr 70 or Equivalent
- Comprehensive test requirements such as Full RT, NDT, Hydro test as per Code
- Migas and Pertamina certified
- Complete instrumentation according to process line in standard filling station and brand customize
- Dished head typically either to Ellipse or Hemispherical dished head
- Available for water sprinkler sets as a cooling down to normal temperature
- Platform and handrail for inspection area on above tank
- Excess flow valve utilizing as a safety flow to avoid liquid flow exceeding
- Welder qualified to migas certification and ASME certification, and WPS as a welding procedure

**LPG Storage tank Horizontal Type Dimension Information:**

*All Tanks Dimensions are Approximate as Shown \*) :*

Capacity (Tons) **)	Outside Diameter	Head Type	Overall Length	Overall Height
10	1,850 mm	Ellips 2:1	8,162 mm	2,150 mm
15	2,100 mm	Ellips 2:1	9,444 mm	2,400 mm
30	2,840 mm	Hemispherical	11,848 mm	3,140 mm
50	3,244 mm	Hemispherical	14,220 mm	3,600 mm
75	3,500 mm	Hemispherical	17,624 mm	3,800 mm
100	3,800 mm	Hemispherical	19,882 mm	4,100 mm
150	4,400 mm	Hemispherical	22,293 mm	4,700 mm

\*) Dimension may be to change in range variation since manufacture process

\*\*\*) Available to request in other specified capacity

PT Lintech Duta Pratama also services for design and manufacture for other type of pressure vessel such as Air Receiver, Surge Tank, Filter tank, scrubber, Stripper, etc which are applied to oil & gas, mining, and industry services, and available for chemical process pressure vessel. In variety of capacity and pressure that according to code rule of ASME Section VIII Division 1 and 2 latest edition.



(1)



(2)



(3)



(4)

**Legend:**

- (1) Vertical Air Receiver
- (2) Horizontal Air Receiver
- (3) Column Tower / Stripper for oil and gas
- (4) Scrubber for oil and gas



Oil & Gas, Marine, Mining & Industrial Engineering - Fabrication – Construction

*For inquiry and further information, Please contact us at:*



## **PT. LINTECH DUTA PRATAMA**

*"We Offer Integrated Engineering, Procurement, Construction (EPC) and Fabrication (ONSHORE & SEASIDE facilities) for Industry, Mining and Oil & Gas"*

Office/Workshop: Graha Lintech – Wira Jatim Industrial Estate – Mastrip 70 – Surabaya- Indonesia

Seaside Facility: Daendels Street - Paciran Cape Lamongan - 60km from Surabaya- Indonesia

Phone: +62-31-7666891 (Hunting 6 lines) Fax: +62-31-7664604

E-MAIL: [admin@lintech.co.id](mailto:admin@lintech.co.id) HOMEPAGE: [Http://www.Lintech.co.id](http://www.Lintech.co.id) ; [Http://www.LSF.co.id](http://www.LSF.co.id)

**PLEASE CONTACT LINTECH REPRESENTATIVE FOR YOUR ASSISTANCE**